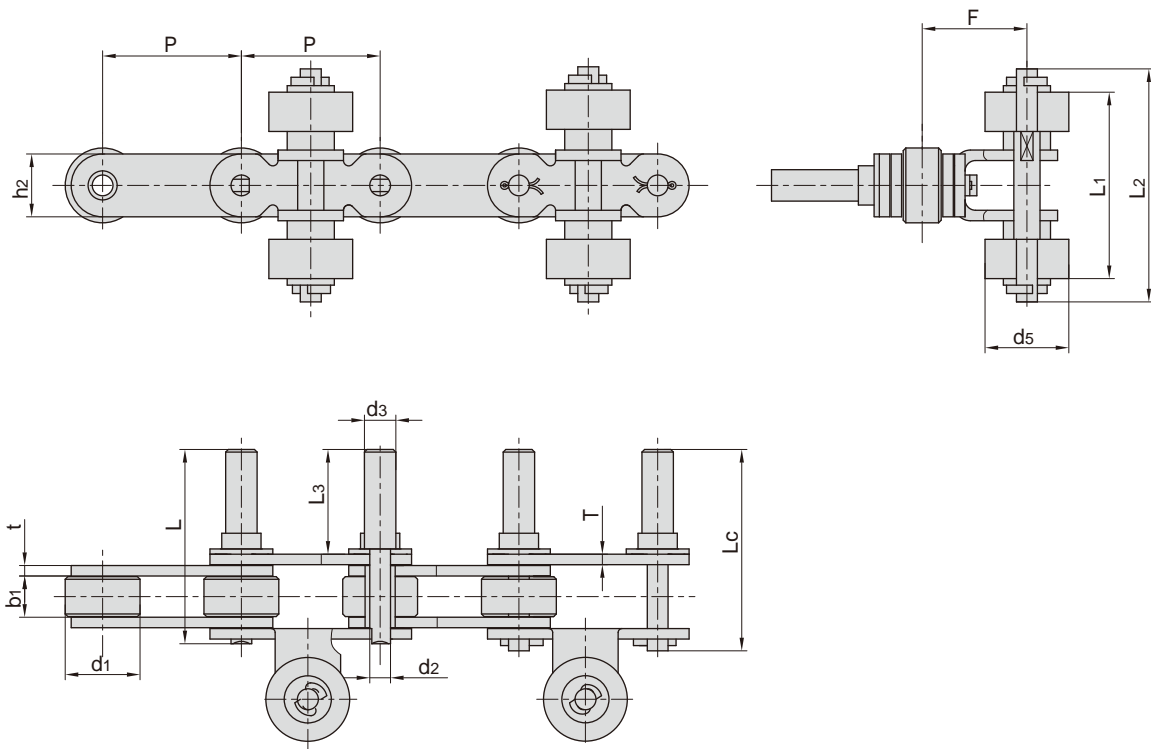


喷涂设备输送链 Conveyor chains for spraying equipment



东华链号 Donghua Chain No.	节距	滚子直径	内节内宽	销轴直径		销轴长度			链板尺寸		附件尺寸				抗拉强度	每米长重
	Pitch	Roller diameter	Width between inner plates	Pin diameter	Pin diameter	Pin length	Pin length	Pin length	Plate dimension	Plate dimension	Attachment dimension				Tensile strength	Weight per meter
	P	d1 max	b1 min	d2 max	d3 max	L3	L max	Lc max	h2 max	t/T max	F	d5	L1	L2	Q min	q
	mm	mm	mm	mm	mm	mm	mm	mm	mm	mm	mm	mm	mm	mm	kN/lbf	kg/m
P38.1F28	38.10	22.23	12.70	7.92	10.0	64.5	101.0	-	20.0	4.0	30.7	30.0	76.5	87.2	50.00/11240	4.06
P42.5F2	42.50	25.40	25.22	12.70	12.0	69.0	121.4	126.0	41.0	5.6	45.2	32.0	93.0	109.0	169.00/37991	14.25
P53F2	53.00	28.58	15.75	7.92	12.0	60.0	94.5	98.0	24.0	4.0	40.0	32.0	74.0	89.0	62.36/14018	7.60